

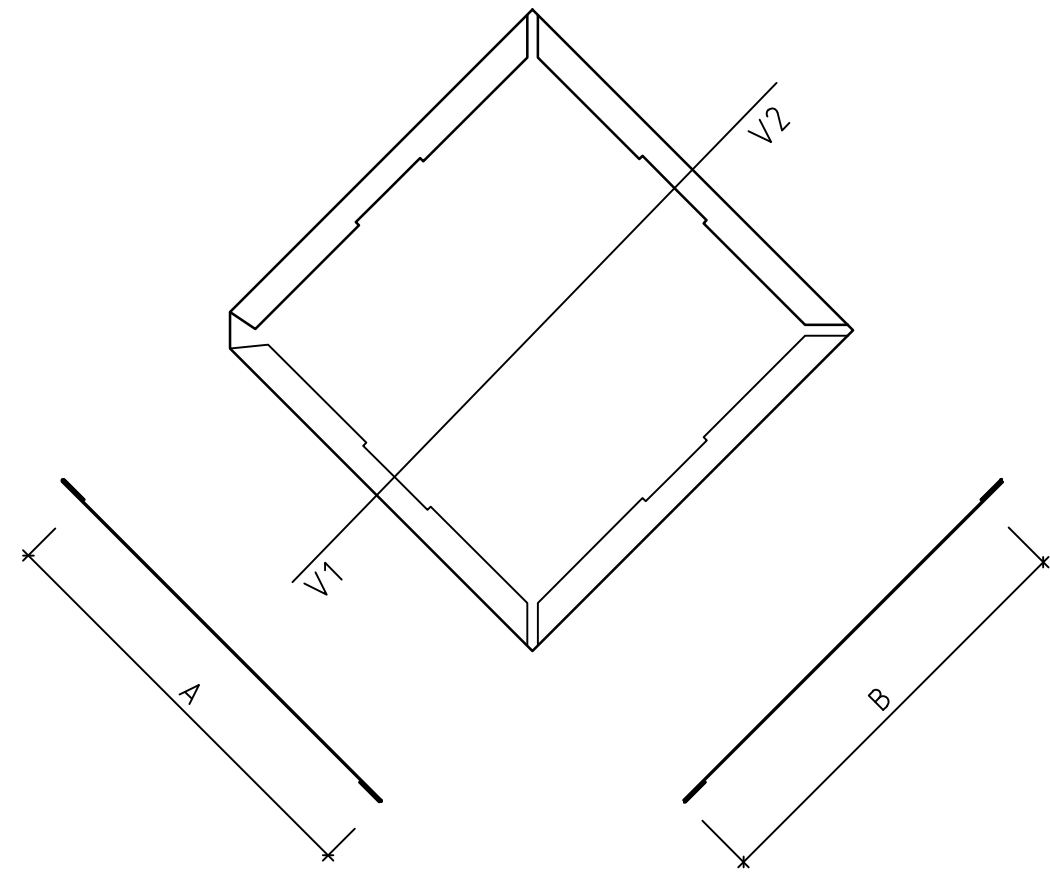
Size A/B = 200-600 mm
Thickness range $t = 0,6-0,8$ mm

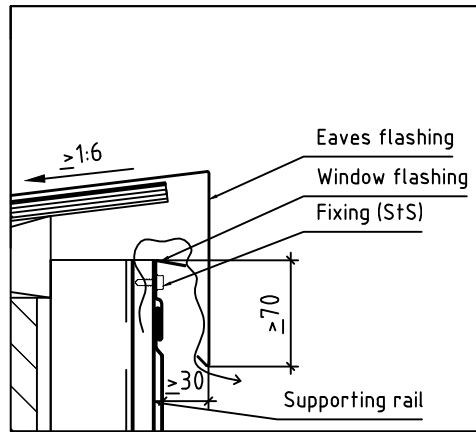
MATERIAL:

SURFACE:

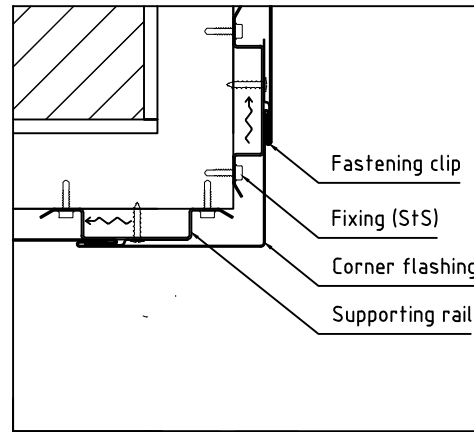
THICKNESS:

CODE:	A:	B:	PCS:

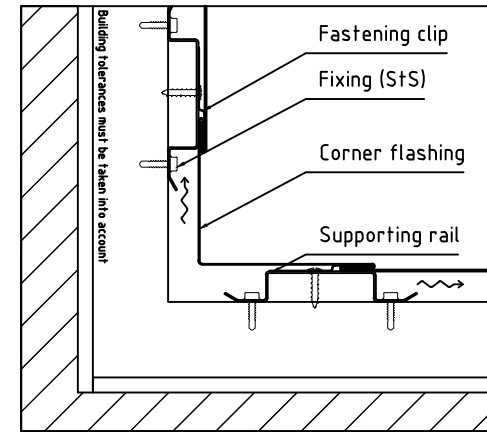




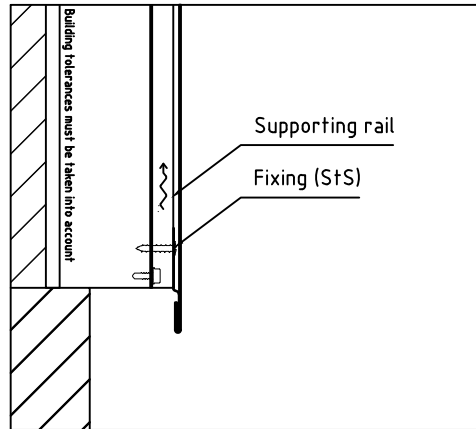
Eaves



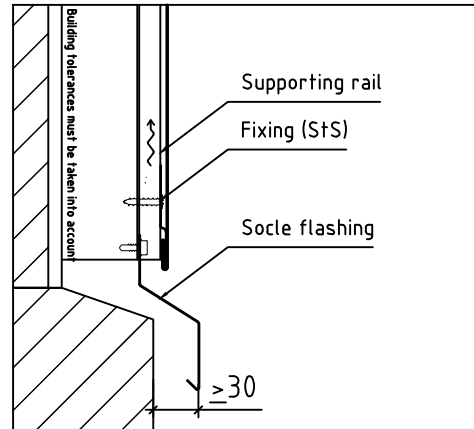
External corner



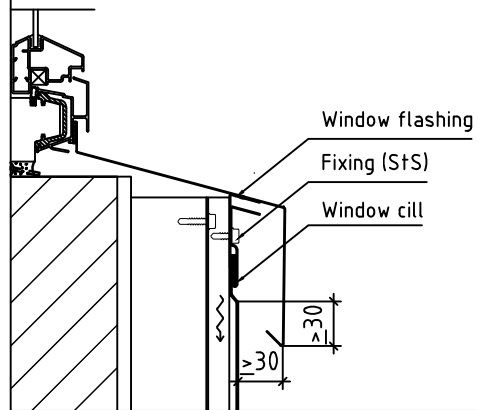
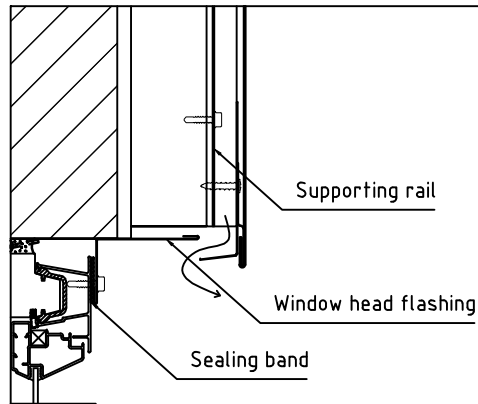
Internal corner



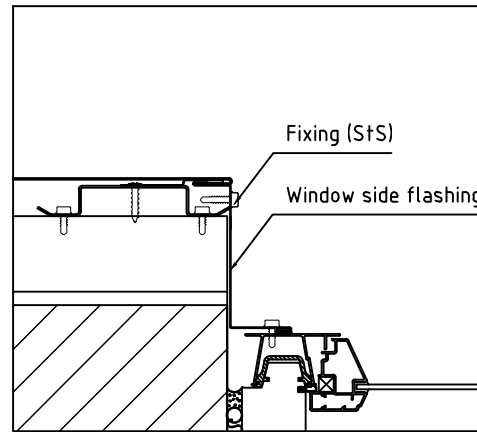
Socle, Alt.1



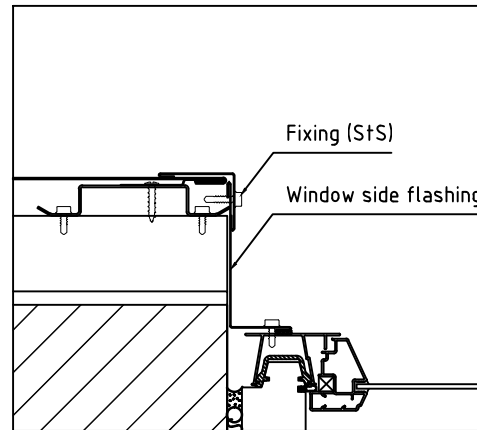
Socle, Alt.2



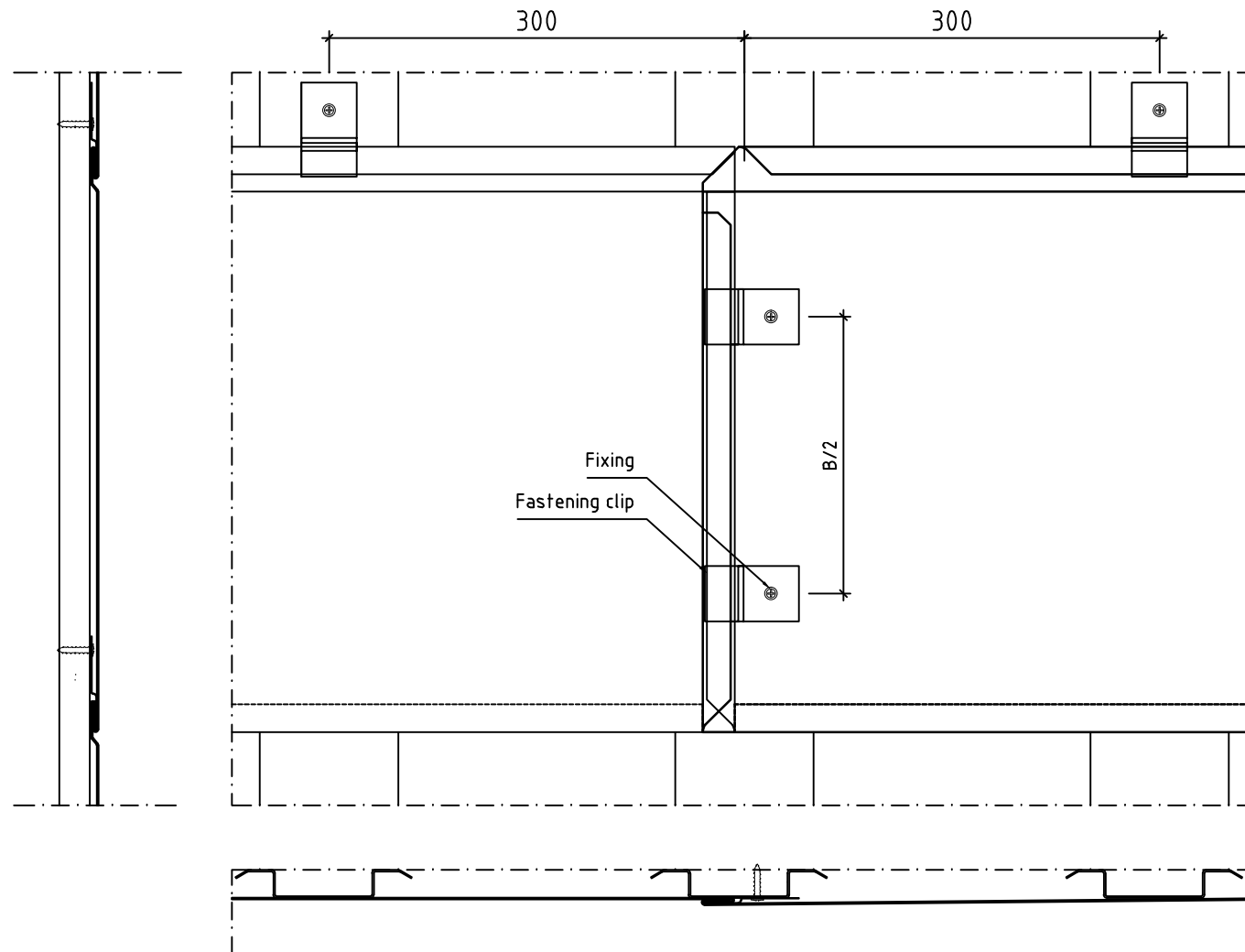
Window horizontal

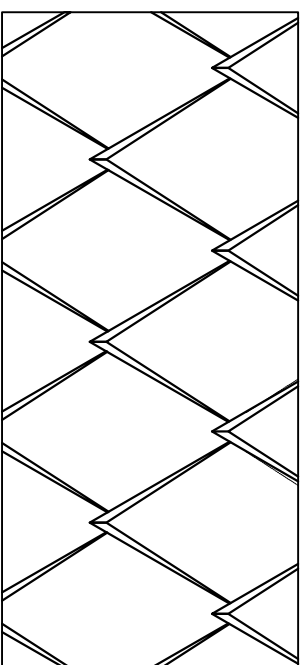
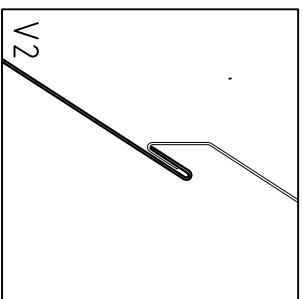
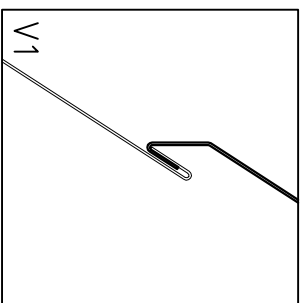


Window vertical, Alt.1



Window vertical, Alt.2

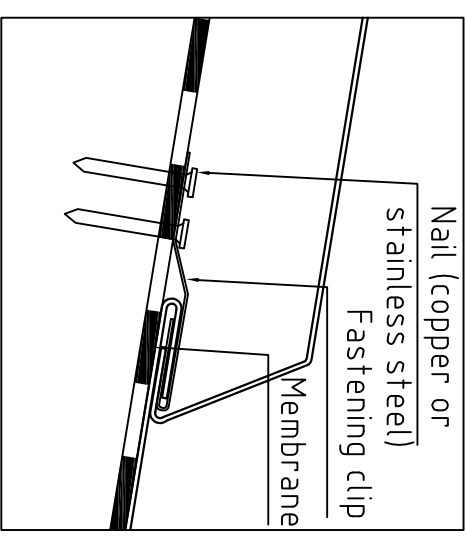
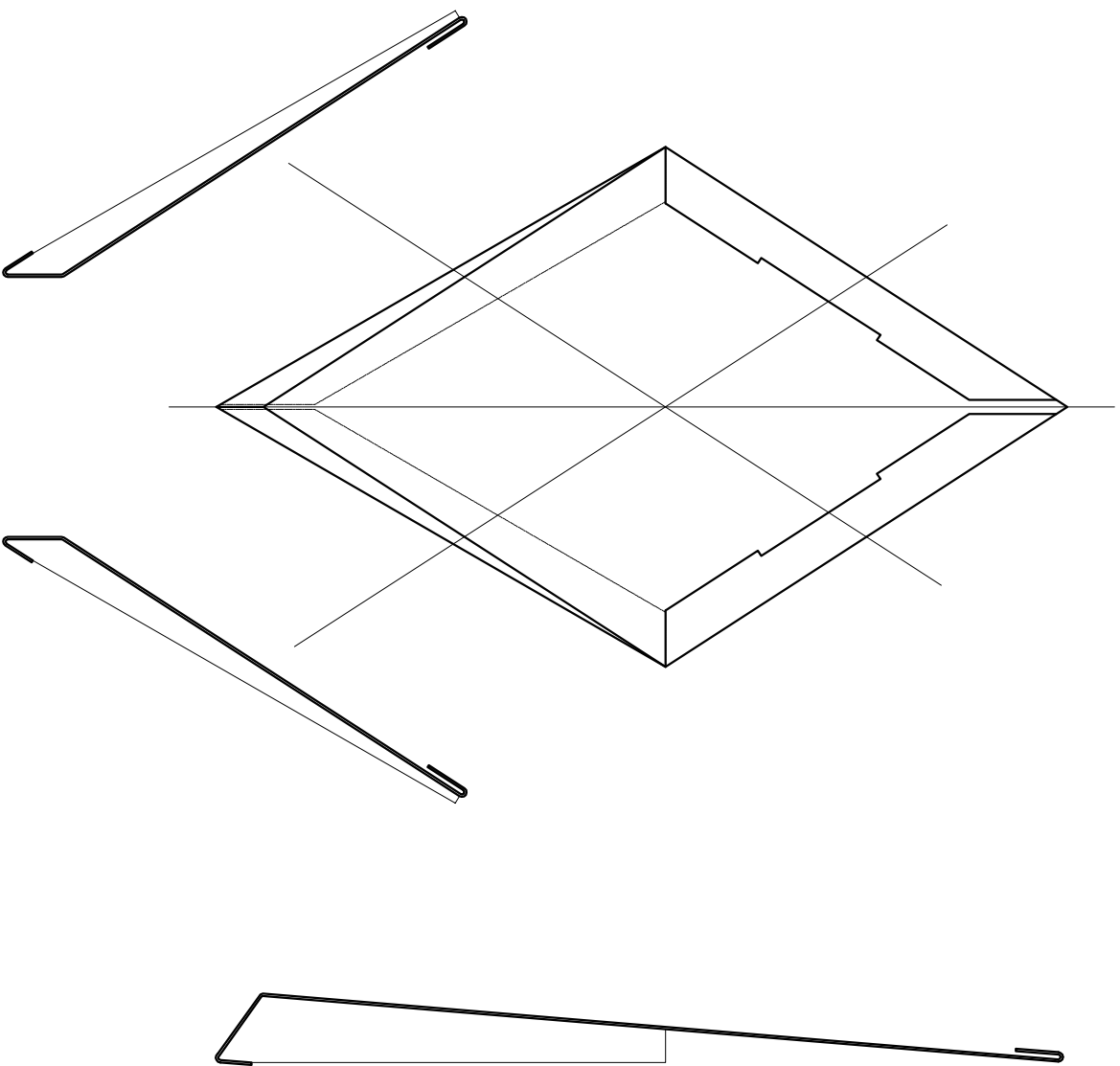




Size A/B = 200-600 mm
Thickness range t = 0,6-0,8 mm

MATERIAL:	
SURFACE:	
THICKNESS:	

CODE:	A:	B:	PCS:



Overlapping